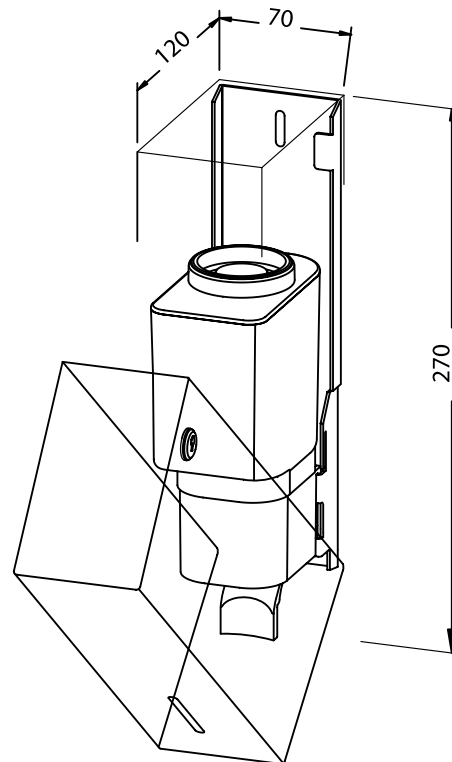


Liquid soap dispenser in stainless steel



- Full metal housing in robust, easy-to-clean stainless steel AISI 316L, satin finished, all corners fully welded.
- With fixed soap tank, capacity 700 ml.
- Inspection slot to indicate refill level.
- Housing swings down for refilling.
- Dispenser with drip-free, single-hand pull-operation soap pump.
- Dispenser lockable with cylinder lock, fitted on the side.
- Easy to clean due to optimum accessibility.
- Simple mounting: line up with tiles and fasten with 2 screws.
- Also available upon request in a polished finish or with other surfaces.

Suggested text for specifications:

Liquid soap dispenser in stainless steel AISI 316L for surface mounting, satin finished, lockable with cylinder lock.

Dimensions 70 x 270 x 120 mm; with 700 ml fixed soap tank; includes mounting elements.

Article No. WP 101-1

